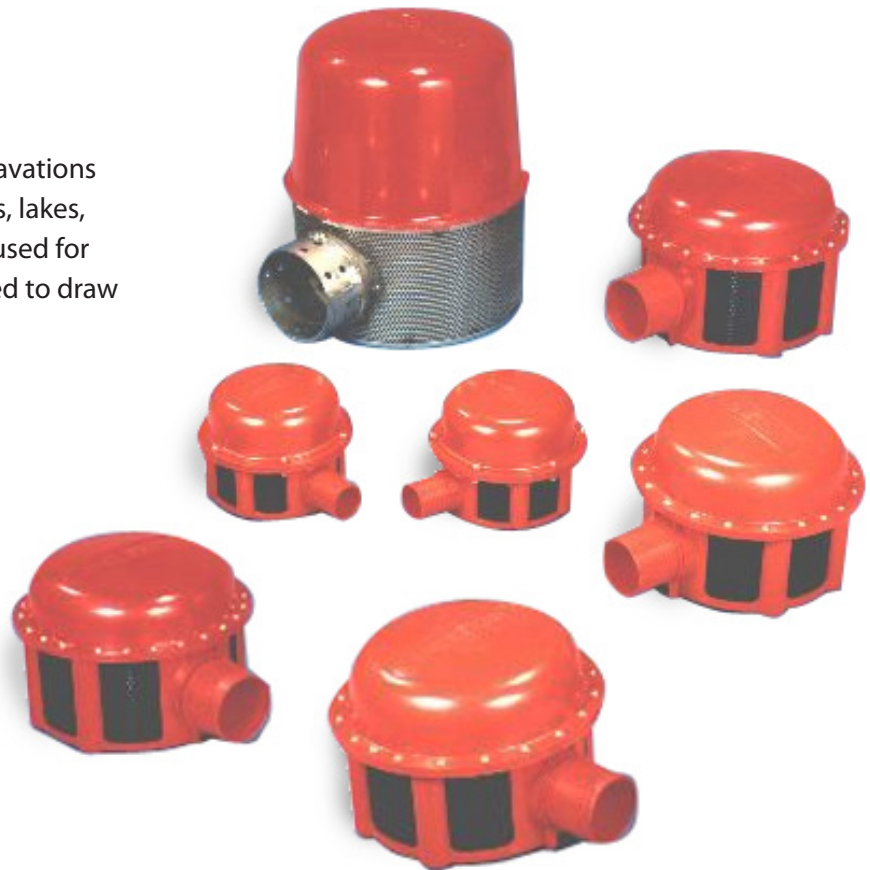


Floating Suction Strainers

Megator Dolphin Floating Suction Strainers draw from just below the surface, avoiding sand, mud and floating matter. They do not get buried when grounded in shallow water. Made entirely of tough, corrosion resistant plastics and stainless steel.

- > Reduce wear of pumps
- > Prevent pump damage
- > Prevent stoppages
- > Lessen cavitation risk
- > Save their cost many times over
- > Always float upright
- > Will not lose buoyancy
- > Tough, shock-proof
- > Corrosion proof

Used for dewatering mines, quarries, excavations and sumps. For water supplies from rivers, lakes, ponds and fire appliances. They are also used for oil storage and other installations required to draw from near the surface.



Float chamber contains moulding of polyurethane foam, providing millions of separate air cells. No loss of buoyancy if accidentally pierced.

Rounded shape gives maximum strength and resistance to rough handling.

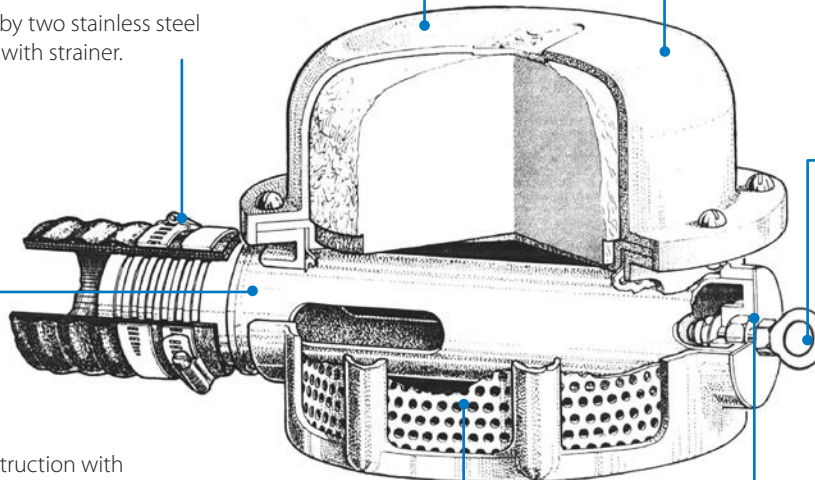
Hose secured by two stainless steel clips supplied with strainer.

Eye provided for mooring, or for attaching extra weight, for choppy or fast-flowing water.

Patented construction with freely turning tube eliminates twisting effect of hose and ensures correct attitude of strainer at all times.

Detachable tube for access to interior without disconnecting hose.

Detachable strainer plates in sides only. Strongly ribbed bottom without holes prevents any tendency for strainer to be sucked down into mud if stranded in shallow water.



The strainer holes are $\frac{3}{16}$ " diameter, the total area of the holes being between 3 and 4 times the cross-sectional area of the hose. The 6" size has a perforated body which along with the tube is constructed entirely of 18/8 stainless steel. Other sizes have replaceable strainer screens made from Darvic black P.V.C. Standard strainers are suitable for operating temperatures up to 194°F (90°C), but for temperatures above 150°F (65°C) stainless steel strainer plates are available as an optional extra.

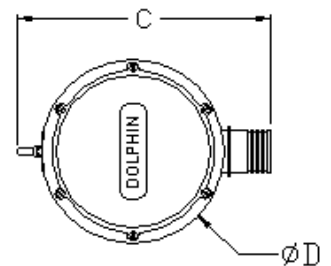
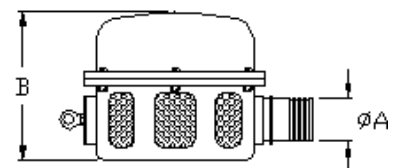


Table of Sizes

Size	A	B	C	D	Max capacity gpm
1 1/2"	1 1/2"	6 3/8"	9 7/8"	5 3/4"	37
2"	2"	6 7/8"	12"	7 3/16"	74
3"	3"	8 1/2"	15 1/2"	10"	148
4"	4"	10 1/2"	17 1/2"	12"	304
6"	6"	19"	27 7/8"	15 3/4"	792